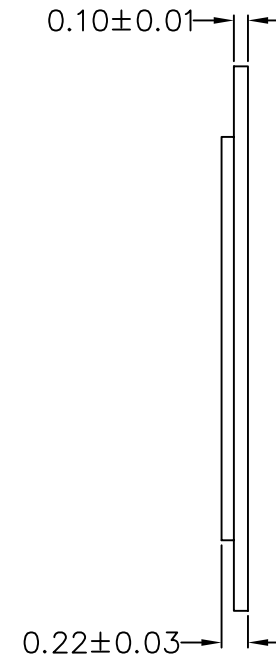
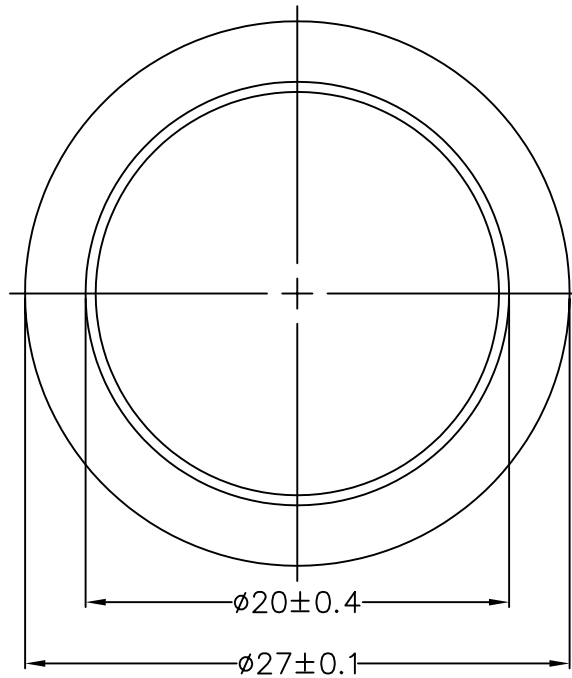


THIS DOCUMENT CONTAINS DATA PROPRIETARY TO PROJECTS UNLIMITED, INC. ANY USE OR REPRODUCTION, IN ANY FORM, WITHOUT PRIOR WRITTEN PERMISSION OF PROJECTS UNLIMITED, INC. IS PROHIBITED.
 © 2003, Projects Unlimited Inc.

SPECIFICATIONS

PARAMETERS	VALUES	UNITS
RESONANT FREQUENCY	2,500±300	Hz
RESONANT IMPEDANCE (MAX)	500	Ohm
MAX INPUT VOLTAGE	20	Vp-p
CAPACITANCE @ 1kHz	45,000±25%	pF
PLATE MATERIAL	STAINLESS STEEL	-
OPERATING TEMPERATURE	-20 ~ +60	°C
STORAGE TEMPERATURE	-20 ~ +70	°C


REVISIONS			
LTR	DESCRIPTION	DATE	APPROVED
-	RELEASED FROM ENGINEERING	9/27/04	
A	REVISED DIMENSION SIZE AND STYLE	1/19/06	B.R.



NOTES:

1. ALL DIMENSIONS ARE IN MILLIMETERS.
2. SPECIFICATION SUBJECT TO CHANGE OR WITHDRAWAL WITHOUT NOTICE.

FILE NAME
 AB2725S.DWG

UNLESS OTHERWISE SPECIFIED: DIMENSIONS ARE IN MILLIMETERS; TOLERANCES ARE ±0.5 AND ANGLES ARE ±3°.		 projects® unlimited Dayton , Ohio									
<table border="1"> <tr> <th>APPROVALS</th> <th>DATE</th> </tr> <tr> <td>DRAWN <i>R.A.C.</i></td> <td>9/04</td> </tr> <tr> <td>CHECKED <i>E.P.</i></td> <td>9/04</td> </tr> <tr> <td>APPROVED <i>R.W.</i></td> <td>9/04</td> </tr> </table>		APPROVALS	DATE	DRAWN <i>R.A.C.</i>	9/04	CHECKED <i>E.P.</i>	9/04	APPROVED <i>R.W.</i>	9/04	<h1>BENDER</h1>	
APPROVALS	DATE										
DRAWN <i>R.A.C.</i>	9/04										
CHECKED <i>E.P.</i>	9/04										
APPROVED <i>R.W.</i>	9/04										
<table border="1"> <tr> <td>SIZE A</td> <td>DRAWING NO. AB2725S</td> </tr> </table>		SIZE A	DRAWING NO. AB2725S								
SIZE A	DRAWING NO. AB2725S										
DO NOT SCALE DRAWING		SCALE: N.T.S.	SHEET 1 OF 1								